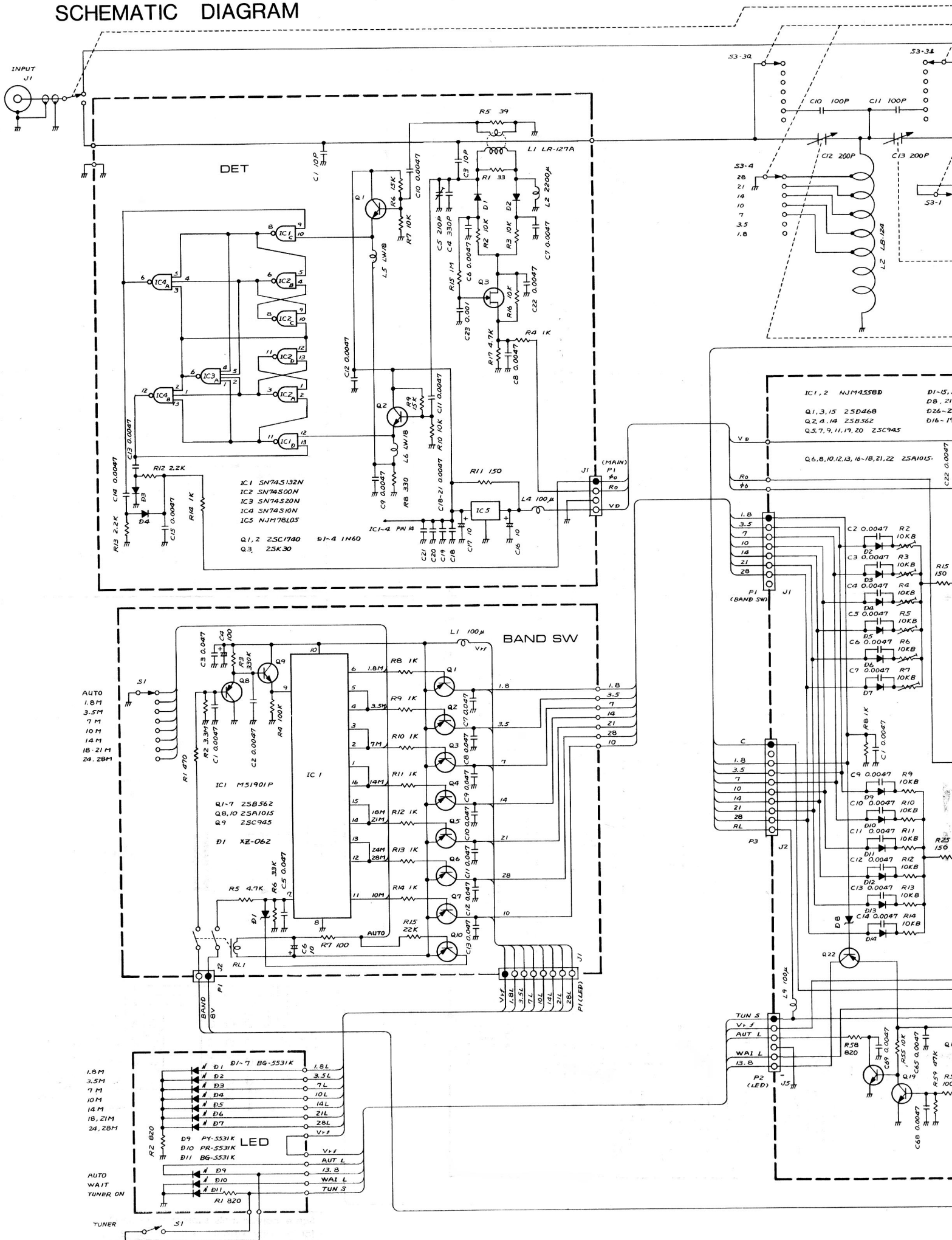
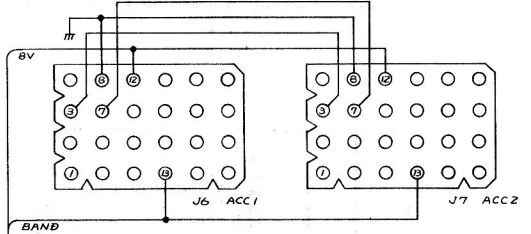
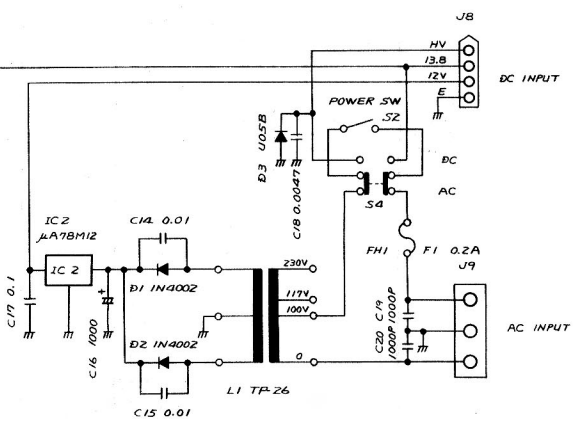
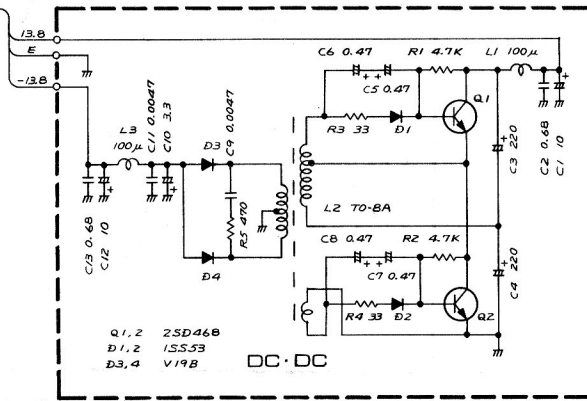
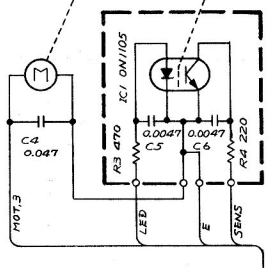
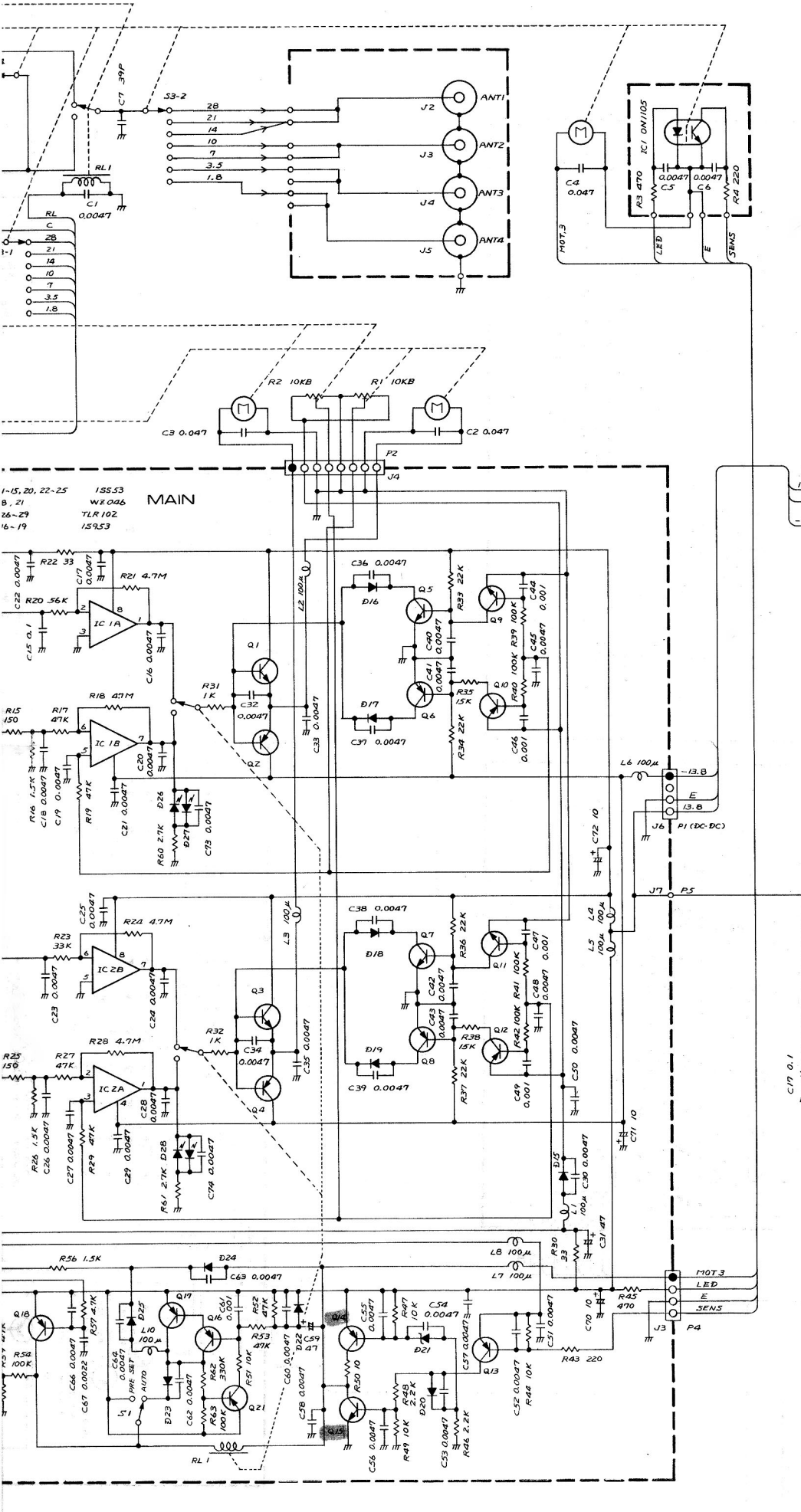


IC-AT100

SCHEMATIC DIAGRAM





IC-AT500

SCHEMATIC DIAGRAM

